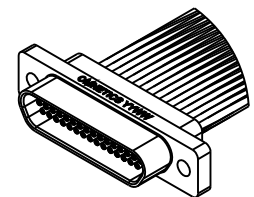
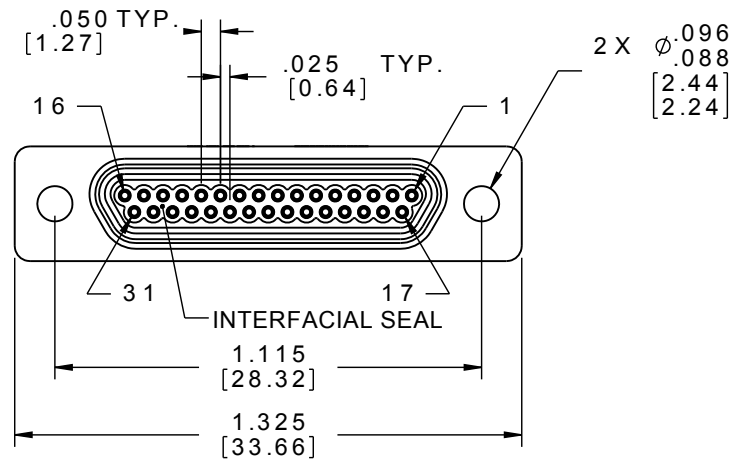
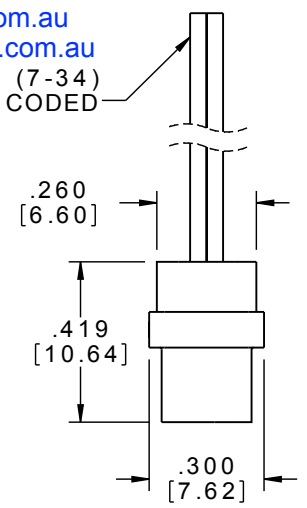
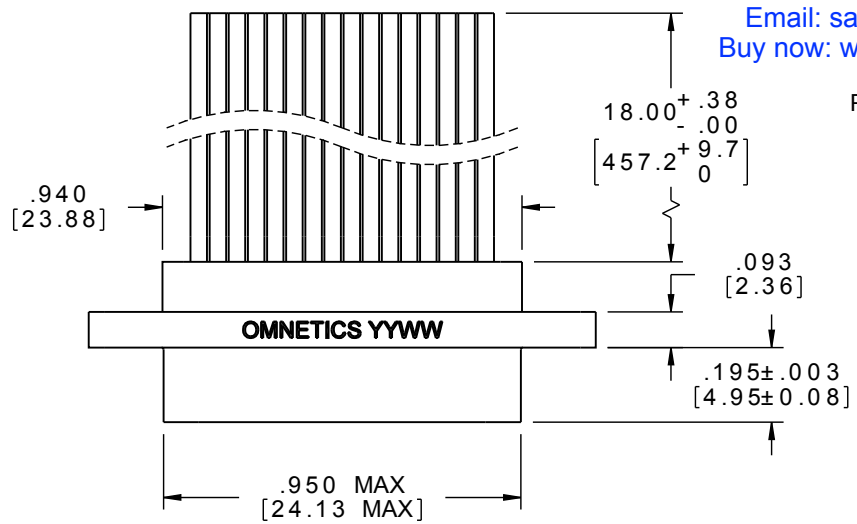


| | | | | | |
|----------|--------------|-----|-----|------|-----|
| PART NO. | A 101359-001 | REV | ECO | DATE | APP |
| | | 1 | | | |

Clarke & Severn Electronics
 Ph +612 9482 1944
 Email: sales@clarke.com.au
 Buy now: www.cseonline.com.au

26 AWG (7-34)
 PTFE, COLOR CODED

| SOCKET # | COLOR |
|----------|-------------|
| 1 | BLACK |
| 2 | BROWN |
| 3 | RED |
| 4 | ORANGE |
| 5 | YELLOW |
| 6 | GREEN |
| 7 | BLUE |
| 8 | VIOLET |
| 9 | GRAY |
| 10 | WHITE |
| 11 | WHT/BLK |
| 12 | WHT/BRN |
| 13 | WHT/RED |
| 14 | WHT/ORG |
| 15 | WHT/YEL |
| 16 | WHT/GRN |
| 17 | WHT/BLU |
| 18 | WHT/VIO |
| 19 | WHT/GRY |
| 20 | WHT/BLK/BRN |
| 21 | WHT/BLK/RED |
| 22 | WHT/BLK/ORG |
| 23 | WHT/BLK/YEL |
| 24 | WHT/BLK/GRN |
| 25 | WHT/BLK/BLU |
| 26 | WHT/BLK/VIO |
| 27 | WHT/BLK/GRY |
| 28 | WHT/BRN/RED |
| 29 | WHT/BRN/ORG |
| 30 | WHT/BRN/YEL |
| 31 | WHT/BRN/GRN |



ACTUAL SIZE
 EXCLUDING WIRE LENGTH

Drawing Approval

Date

NOTE:

DIMENSIONS IN [] ARE IN MILLIMETERS UNLESS OTHERWISE NOTED AND ARE FOR REFERENCE ONLY

| | |
|-----------------------------------|----------------------|
| TOLERANCES UNLESS OTHERWISE NOTED | THIRD ANGLE |
| | -TOLERANCES- |
| | DIMENSIONS IN INCHES |
| | 2 PL DEC ± .01 |
| 3 PL DEC ± .005 | |
| 4 PL DEC ± .0005 | |
| ANGLES ± 1° | |

| | |
|--|---------------|
| THIS DRAWING CONTAINS CONFIDENTIAL AND PROPRIETARY INFORMATION WHICH IS THE PROPERTY OF OMNETICS CONNECTOR CORP. THIS DOCUMENT MAY NOT, IN WHOLE OR IN PART, BE DUPLICATED, OR DISCLOSED FOR ANY PURPOSE, WITHOUT WRITTEN PERMISSION FROM OMNETICS CONNECTOR CORP. | |
| DFTM. TLM | DATE 02-22-12 |
| CHK'D. | DATE |
| APP'D. | DATE |
| TITLE: (31) SOCKET FEMALE MICRO-D CONNECTOR | |

OMNETICS
 CONNECTOR CORPORATION
 7260 COMMERCE CIRCLE EAST
 MINNEAPOLIS, MN 55432
 WWW.OMNETICS.COM

| |
|----------------------|
| CAGE CODE 61873 |
| DWG NO. A 101359-001 |
| SHEET 1 OF 1 |
| SCALE: 2:1 |
| REV 1 |

REF: AEROSONDE