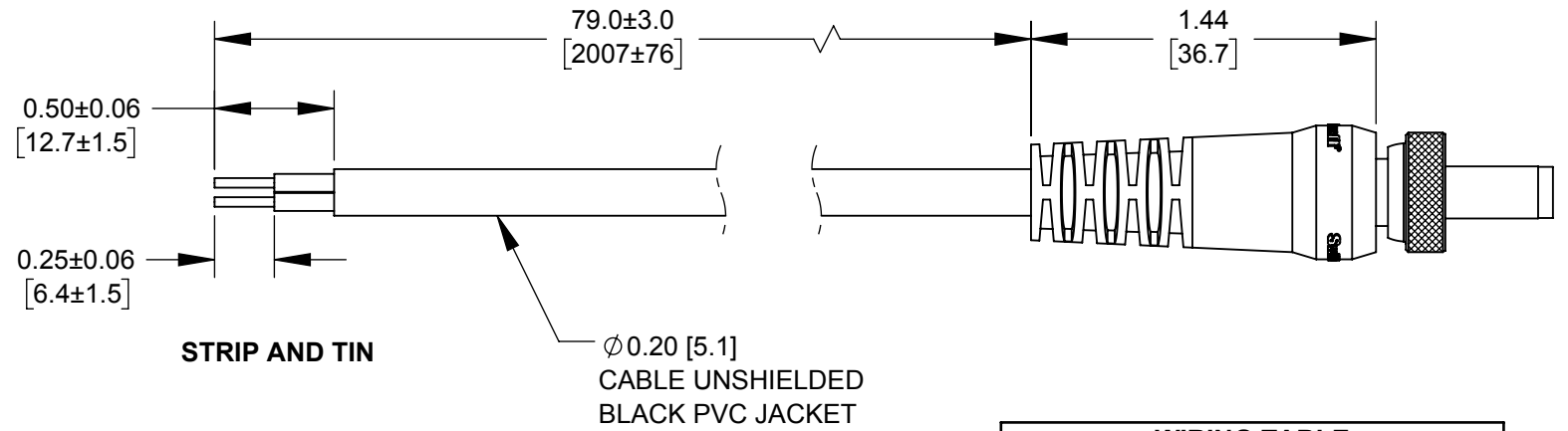
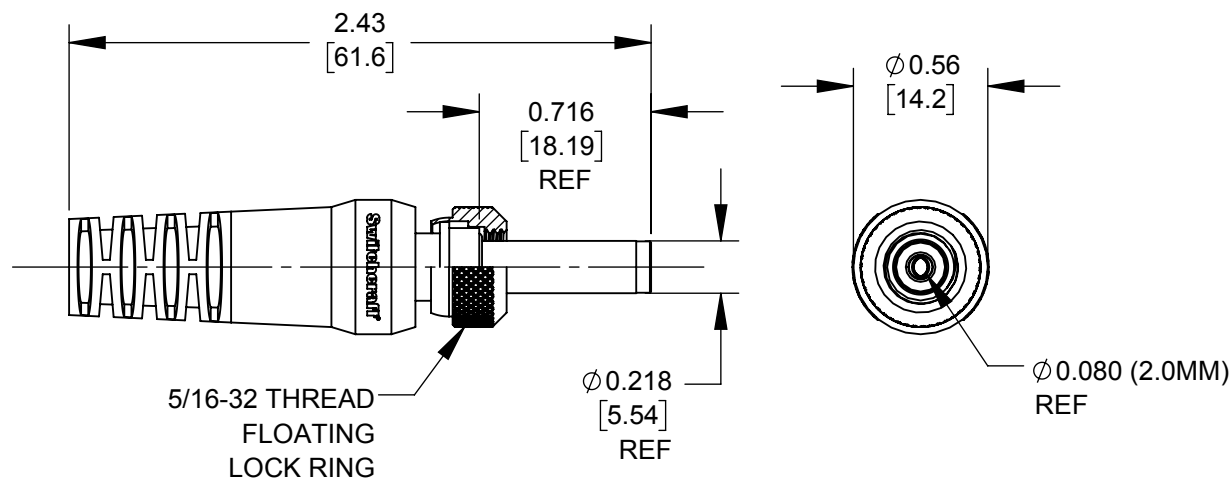


**761KS, 767KS, AND S761KS SERIES SEALED PLUGS**



WIRING TABLE	
POWER PLUG	WIRE COLOR
TIP	RED
SLEEVE	BLACK



**S10KS SERIES SEALED HI-AMP PLUG**

**CA 07984**

CABLE ASSEMBLY ——— STRIP AND TIN  
1/2 INCH BY 1/4 INCH

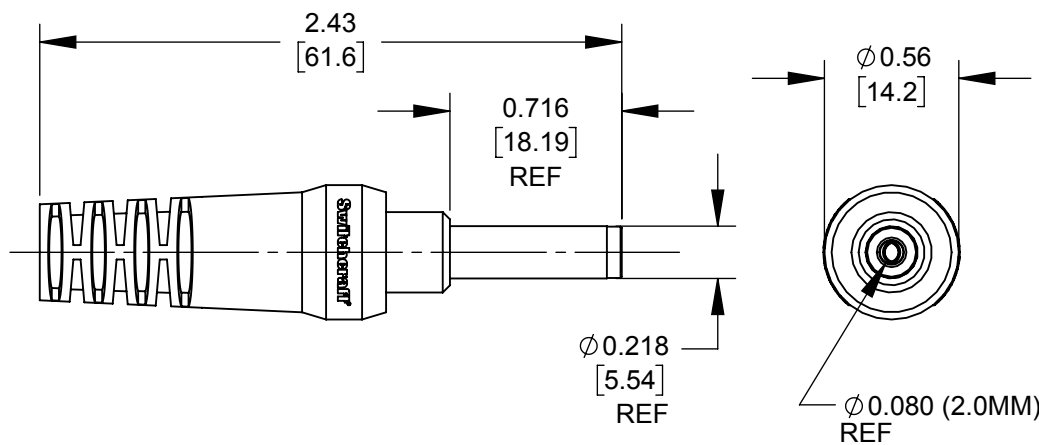
————— 79 INCHES (2 METERS) OF CABLE

Ⓢ STANDARD AND SEALED PLUGS - 2 CONDUCTOR 20 AWG  
HI - AMP PLUGS - 2 CONDUCTOR 16 AWG

**761KS** - SEALED 0.100 (2.5MM)  $\phi$  ID  
**767KS** - SEALED 0.084 (2.1MM)  $\phi$  ID  
**S761KS** - SEALED 0.080 (2.0MM)  $\phi$  ID  
**S10KS** - HI AMP - SEALED 0.080(2.0MM)  $\phi$  ID  
**S10** - HI AMP NON-SEALED - 0.080(2.0MM)  $\phi$  ID NON-LOCKING  
**760** - DC POWER PLUG 0.100 (2.5MM)  $\phi$  ID NON-LOCKING  
**762** - DC POWER PLUG 0.084 (2.1MM)  $\phi$  ID NON-LOCKING  
**S760** - DC POWER PLUG 0.080 (2.0MM)  $\phi$  ID NON-LOCKING  
**760K** - DC POWER PLUG 0.100 (2.5MM)  $\phi$  ID LOCKING  
**761K** - DC POWER PLUG 0.100 (2.5MM)  $\phi$  ID LOCKING  
**762K** - DC POWER PLUG 0.084 (2.1MM)  $\phi$  ID LOCKING  
**767K** - DC POWER PLUG 0.084 (2.1MM)  $\phi$  ID LOCKING  
**S760K** - DC POWER PLUG 0.080 (2.0MM)  $\phi$  ID LOCKING  
**S761K** - DC POWER PLUG 0.080 (2.0MM)  $\phi$  ID LOCKING

**Clarke & Severn Electronics**  
**Ph +612 9482 1944**  
**Email: sales@clarke.com.au**  
**Buy now: www.cseonline.com.au**

**CUSTOMER DRAWING**



**S10 SERIES NON-SEALED NON-LOCKING HI-AMP PLUG**

REV	ECO NUMBER	DATE	BY	APVD
C	27930	08-17-17	PC	TJK
B	27615	11-30-15	TO	TJK
A	27477	4/2/15	TJK	TJK

UNLESS OTHERWISE SPECIFIED

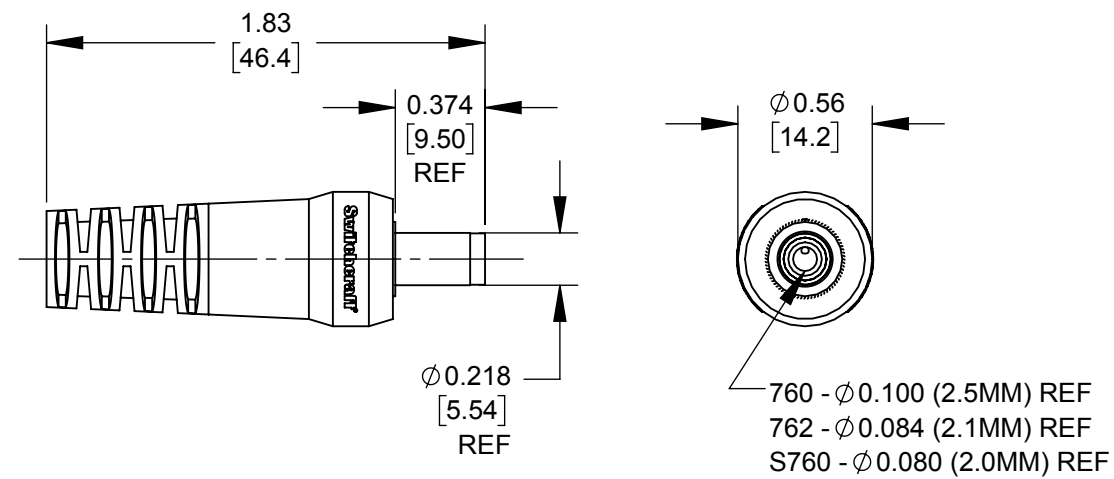
1. ALL DIMENSIONS IN INCHES [mm]

- TWO PLACE DECIMALS  $\pm 0.02$  [0.5]

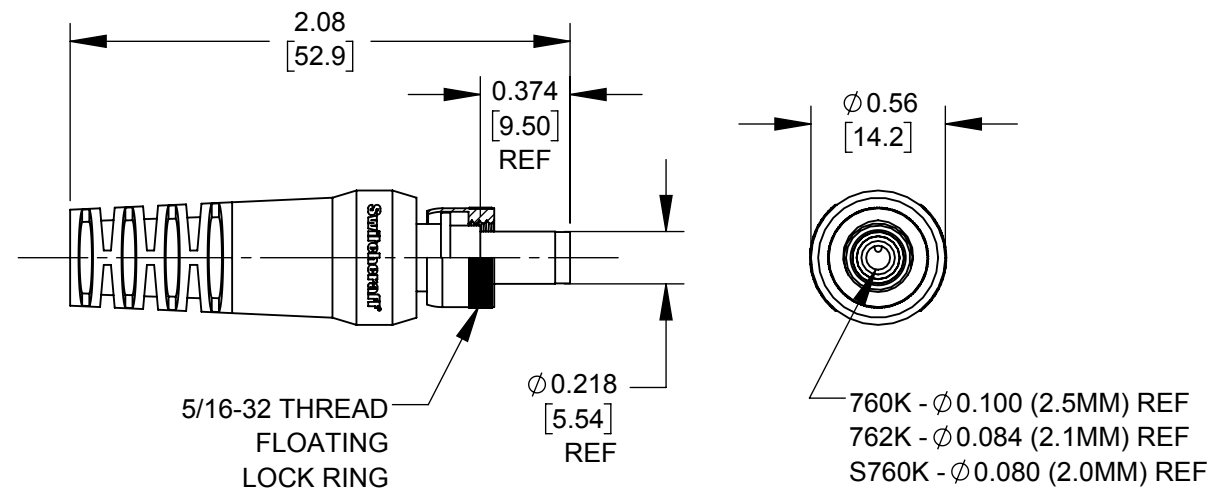
- THREE PLACE DECIMALS  $\pm 0.005$  [0.13]

**DO NOT SCALE DRAWING**

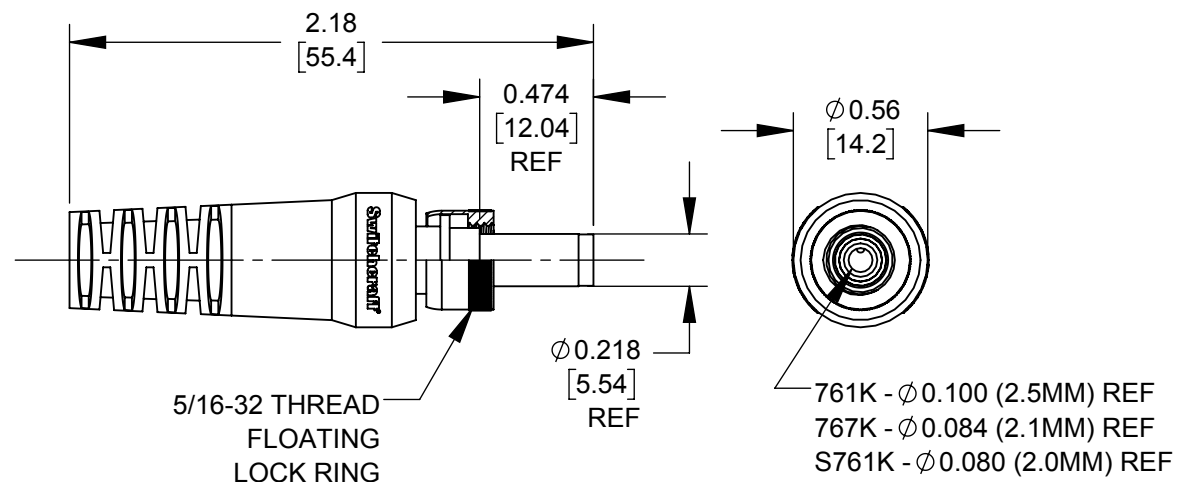
THIS DRAWING DESCRIBES A DESIGN CONSIDERED PROPRIETARY IN NATURE, DEVELOPED AND MANUFACTURED BY SWITCHCRAFT INC. AND IS RELEASED ON A CONFIDENTIAL BASIS FOR IDENTIFICATION PURPOSES ONLY.									
SIZE	WIDTH	MULT	LBS/M	TEMPER					
FINISH					MATERIAL				
SPEC No.					SPEC No.				
FIRST USED ON					SCALE				
					1.25:1				
DATE DRAWN	BY	CHKD	APVD						
3/19/15	AB	AB	TJK						
			3/19/15						
NAME CABLE ASSEMBLY - MOLDED STRAIGHT POWER PLUGS, RoHS									
PART No.								REV	
CA__07984								C	



**C** 760, 762, AND S760 SERIES  
NON-LOCKING POWER PLUGS



**C** 760K, 762K, AND S760K SERIES  
LOCKING POWER PLUG



**C** 761K, 767K, AND S761K SERIES  
LOCKING POWER PLUGS

**CUSTOMER DRAWING**

**Clarke & Severn Electronics**  
**Ph +612 9482 1944**  
**Email: [sales@clarke.com.au](mailto:sales@clarke.com.au)**  
**Buy now: [www.cseonline.com.au](http://www.cseonline.com.au)**

SCALE 1.25:1	<b>Switchcraft</b> <sup>®</sup>	
DATE DRAWN 08/02/17		
DRAWN BY ALM	PART No. CA 07984	REV C